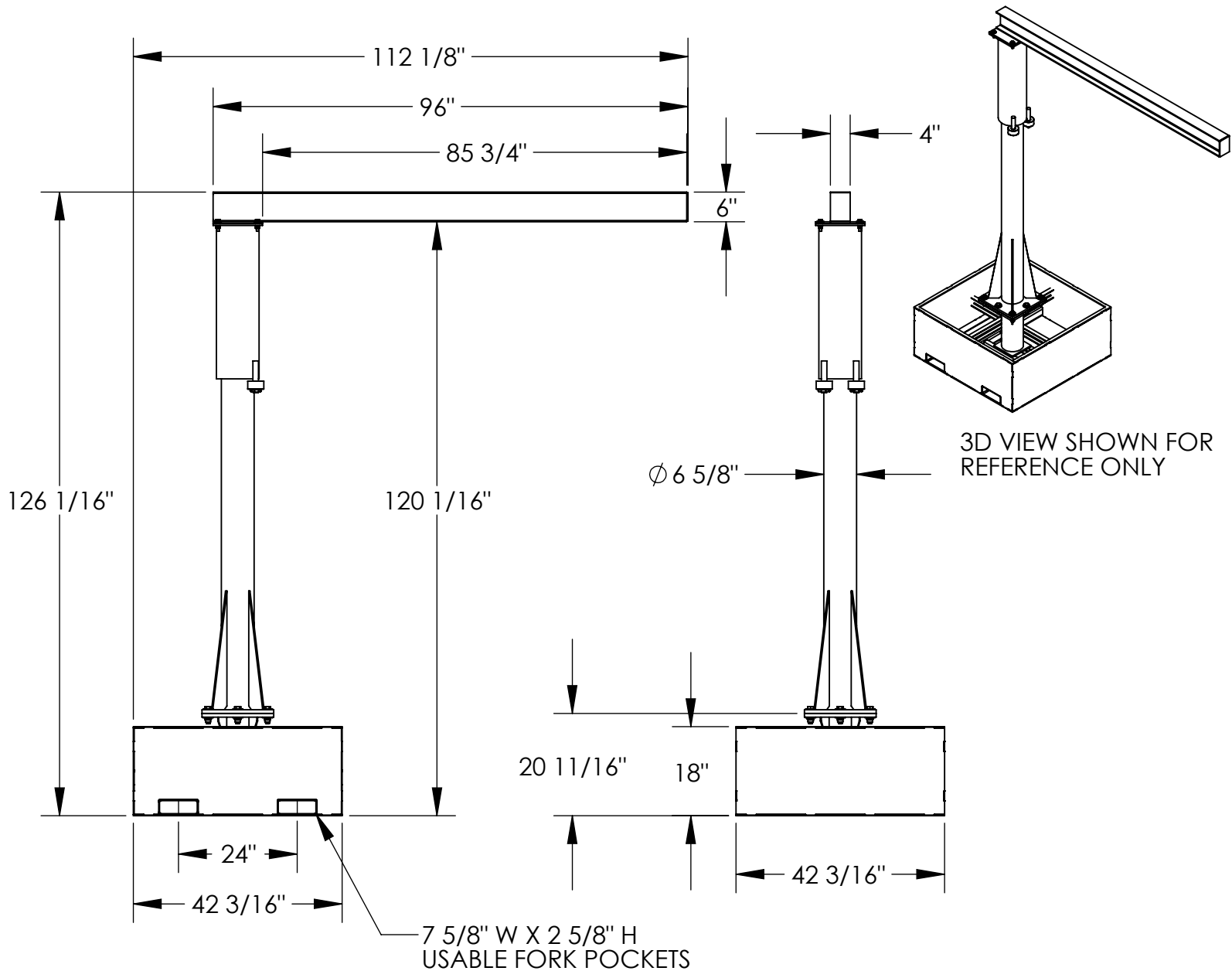


# PORTABLE JIB CRANE - JIB-CB-25-8-10

APPROX WEIGHT: 875.47 lbs.  
DOES NOT INCLUDE WEIGHT OF POWER OR PACKAGING!!!

\*\*\*ANY ADDITIONS, DELETIONS, OR OMISSIONS MUST BE CORRECTED ON THIS DRAWING AS THIS DRAWING WILL BE CONSIDERED ALL INCLUSIVE\*\*\*



ALL GRAPHICS PROVIDED ARE FOR REFERENCE ONLY. IF CERTAIN DIMENSIONS ARE CRITICAL PLEASE VERIFY THOSE DIMENSIONS WITH YOUR SALESPERSON

DIMENSION TOLERANCE  $\pm 1/4"$

## STANDARD FEATURES

- MODEL NUMBER IS JIB-CB-25-8-10
- CAPACITY IS 250 LBS.
- OVERALL WIDTH IS 42 3/16"
- USABLE WIDTH IS 4"
- OVERALL I-BEAM LENGTH IS 96"
- USABLE I-BEAM LENGTH IS 85 3/4"
- OVERALL HEIGHT IS 126 1/16"
- UNDER I-BEAM HEIGHT IS 120 1/16"
- BASE HEIGHT IS 18"
- I-BEAM SIZE IS 6" HEIGHT X 4" FLANGE WIDTH
- FORK CENTERS IS 24"
- DURABLE LIQUID PAINT BLUE FINISH
- USABLE FORK POCKETS IS:  
7 5/8" W X 2 5/8" H

## SPECIAL FEATURES

NONE

<b>A P P R O V A L</b>	I, THE UNDERSIGNED, AGREE THAT THE PRODUCT AS REPRESENTED SATISFIES DESIGN AND DIMENSION REQUIREMENTS. I ALSO ACKNOWLEDGE MY DUTY TO CONFIRM PRODUCT AND INSTALLATION COMPLIANCE WITH ALL APPLICABLE FEDERAL, STATE AND LOCAL REGULATIONS AND STANDARDS.	
	<b>UNITS REQUIRING APPROVAL DRAWINGS OR MODIFIED ARE NON-RETURNABLE</b>	
	[ ] As drawn      [ ] As marked	
Signed: _____ Date: _____		
Printed Name: _____		
<i>LEAD TIME WILL START UPON RECEIPT OF SIGNED APPROVAL DRAWING</i>		

DISTRIBUTOR'S NAME:		P.O.#
<b>VESTIL MANUFACTURING</b>		X
DRAWN BY: ND		W.O.#
DATE: 8/26/09		X
REFERENCE: X		SALES: X
SCALE: 1:30		FILE NAME:
QUOTED LEAD TIME: X		28-007-181
QUOTE #		X